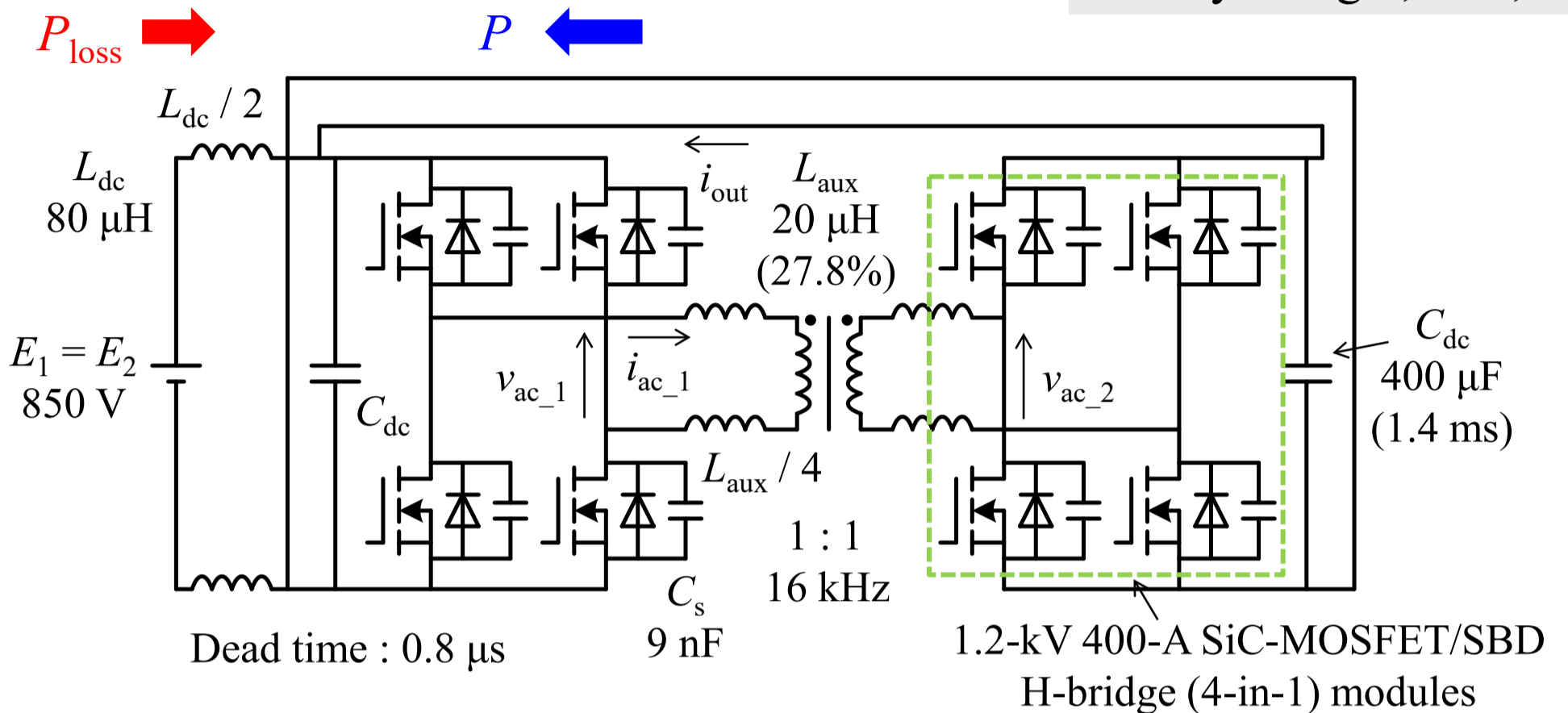


# Efficiency Improvement of Bidirectional Isolated DC-DC Converter

Fujita Lab.

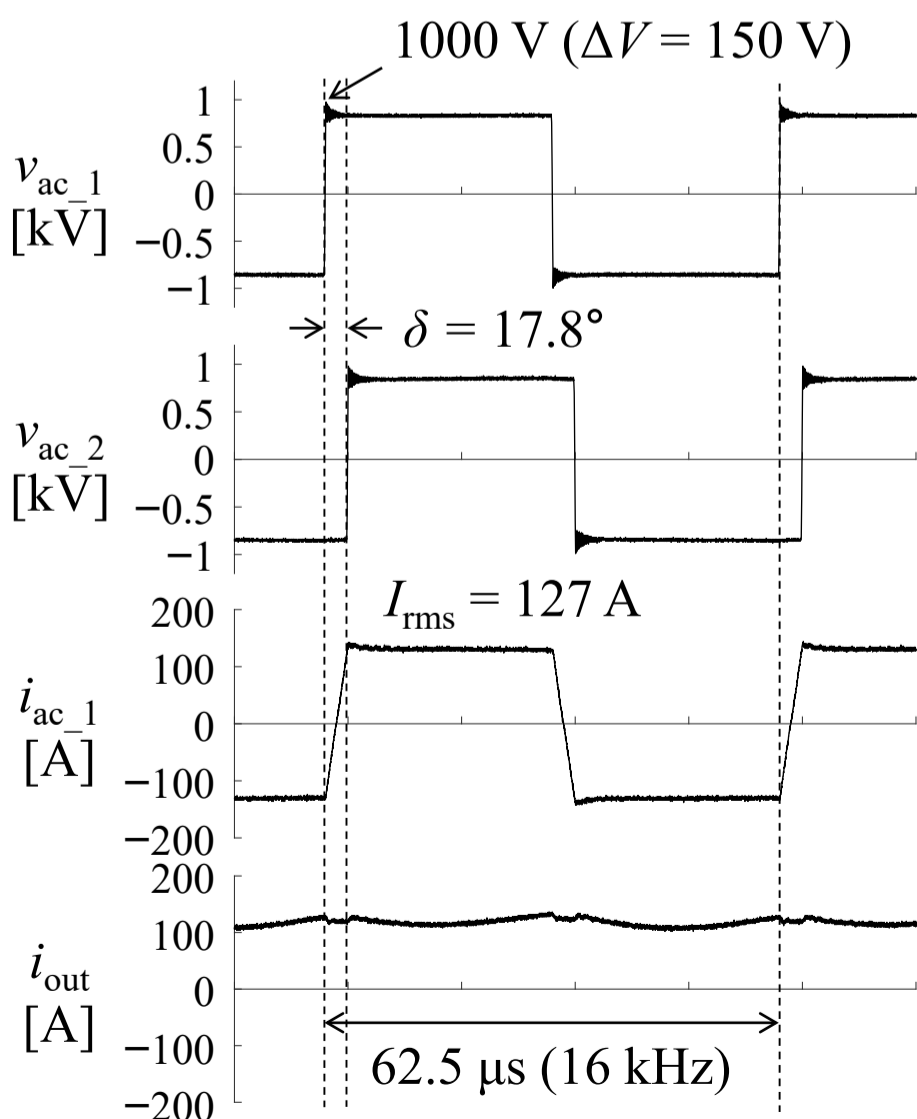
Experimental circuit (850 V, 100 kW, 16 kHz)

Applications :  
Battery charger, SST, etc.

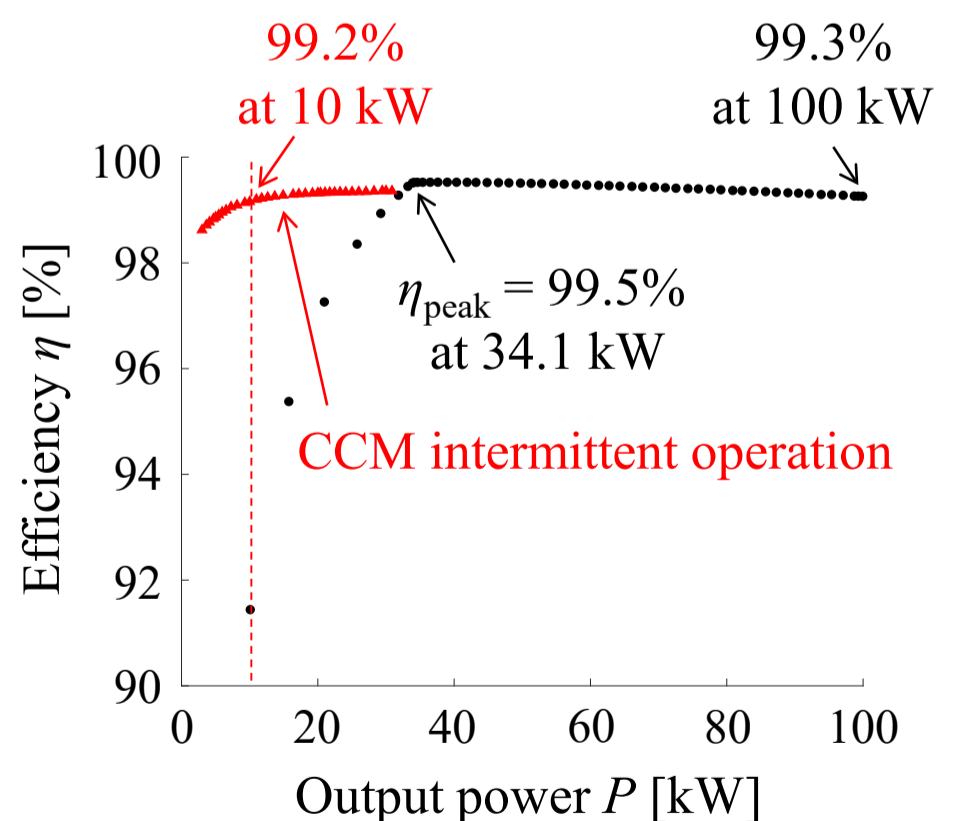


Conversion efficiency  $\eta = \frac{P}{P + P_{\text{loss}}}$  Tolerance : lower than 0.005%

Experimental waveforms (100 kW)



Measured conversion efficiency



More than 99.2%  
from a 10% load to the rated power

